

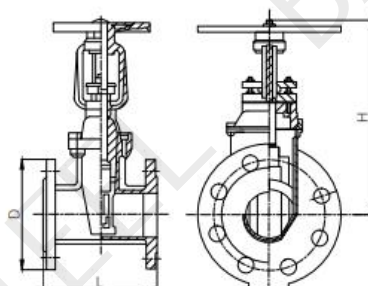


STEEL PIPE SINCE 1991  
**BAOLAI**

# Flanged OS&Y gate valve



- Certificate: UL Listed / FM Approved
- Standard: BS EN 1074-2
- Connection: Flanged as EN 1092-2
- Indicator: Non / with supervisory switch
- Temperature: 0°C to 100°C
- W. pressure: PN 16
- Surface: FBE coating as AWWA C550



## Available size (Without supervisory switch)

Size			Dimension (mm)			Working pressure	Ref. No.
Inch	DN	mm	L	H min	H max		
2"	50	60.3	178	323	373	PN 16	V0101
2-1/2"	65	76.1	190	343	408	PN 16	V0102
3"	80	88.9	203	370	450	PN 16	V0103
4"	100	114.3	229	442	542	PN 16	V0104
5"	125	139.7	254	541	665	PN 16	V0105
6"	150	165.1	267	608	758	PN 16	V0106
8"	200	219.1	292	720	920	PN 16	V0107
10"	250	273.0	330	940	1190	PN 16	V0108
12"	300	323.9	356	1065	1370	PN 16	V0109
14"	350	355.6	381	1403	1817	PN 16	V0110
16"	400	406.4	406	1403	1817	PN 16	V0111
18"	450	457	432	1788	2308	PN 16	V0112
20"	500	508	457	1809	2329	PN 16	V0113
24"	600	610	508	2025	2649	PN 16	V0114

## Available size (With supervisory switch)

Size			Dimension (mm)			Working pressure	Ref. No.
Inch	DN	mm	L	H min	H max		
2"	50	60.3	178	323	373	PN 16	V0121
2-1/2"	65	76.1	190	343	408	PN 16	V0122
3"	80	88.9	203	370	450	PN 16	V0123
4"	100	114.3	229	442	542	PN 16	V0124
5"	125	139.7	254	541	665	PN 16	V0125
6"	150	165.1	267	608	758	PN 16	V0126
8"	200	219.1	292	720	920	PN 16	V0127
10"	250	273.0	330	940	1190	PN 16	V0128
12"	300	323.9	356	1065	1370	PN 16	V0129
14"	350	355.6	381	1403	1817	PN 16	V0130
16"	400	406.4	406	1403	1817	PN 16	V0131
18"	450	457	432	1788	2308	PN 16	V0132
20"	500	508	457	1809	2329	PN 16	V0133
24"	600	610	508	2025	2649	PN 16	V0134

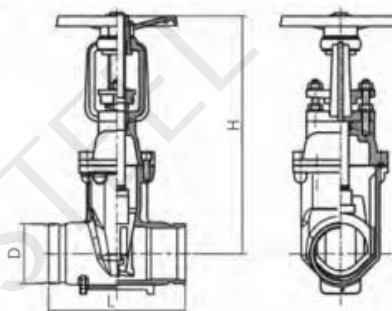


Phone: +86 022 83377302 Email: info@baolaisteel.com

## Grooved OS&Y gate valve



- Certificate: UL Listed / FM Approved
- Standard: BS EN 1074-2
- Connection: Grooved as ISO 6182
- Temperature: 0°C to 100°C
- W. pressure: PN 16
- Surface: FBE coating as AWWA C550



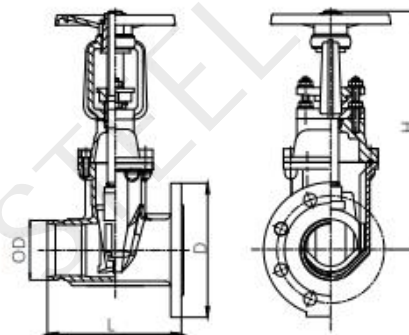
### Available size

Size			Dimension (mm)			Working pressure	Ref. No.
Inch	DN	mm	L	H min	H max		
2"	50	60.3	178	323	373	PN 16	V0201
2-1/2"	65	76.1 / 73.0	190	343	408	PN 16	V0202
3"	80	88.9	203	370	450	PN 16	V0203
4"	100	114.3	229	442	542	PN 16	V0204
5"	125	139.7 / 141.3	254	541	665	PN 16	V0205
6"	150	165.1 / 168.3	267	608	758	PN 16	V0206
8"	200	219.1	292	720	920	PN 16	V0207
10"	250	273.0	330	939	1193	PN 16	V0208
12"	300	323.9	356	1065	1370	PN 16	V0209

## Flanged x Grooved OS&Y gate valve



- Certificate: UL Listed / FM Approved
- Standard: BS EN 1074-2
- Connection: Flanged as EN 1092-2 + Grooved as ISO 6182
- Temperature: 0°C to 100°C
- W. pressure: PN 16
- Surface: FBE coating as AWWA C550



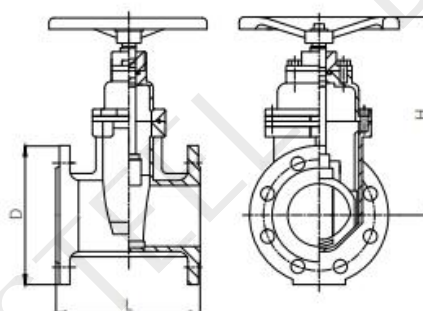
### Available size

Size			Dimension (mm)			Working pressure	Ref. No.
Inch	DN	mm	L	H min	H max		
2"	50	60.3	178	323	373	PN 16	V0301
2-1/2"	65	76.1 / 73.0	190	343	408	PN 16	V0302
3"	80	88.9	203	370	450	PN 16	V0303
4"	100	114.3	229	442	542	PN 16	V0304
5"	125	139.7 / 141.3	254	541	665	PN 16	V0305
6"	150	165.1 / 168.3	267	608	758	PN 16	V0306
8"	200	219.1	292	720	920	PN 16	V0307
10"	250	273.0	330	939	1193	PN 16	V0308
12"	300	323.9	356	1065	1370	PN 16	V0309

# Flanged NRS gate valve



- Certificate: UL Listed / FM Approved
- Standard: BS EN 1074-2, BS 5163
- Connection: Flanged as EN 1092-2
- Temperature: 0°C to 100°C
- W. pressure: PN 16 / PN 25
- Surface: FBE coating as AWWA C550



## Main parts and material

Body / bonnet / handwheel	Ductile iron as EN 1563, EN-GJS-450-10	Resilient wedge disc	Ductile iron as EN 1563, EN-GJS-450-10 + EPDM
Stem	SS304 / SS316 / SS420 / SS431	Thrust washer	Brass as B124 C37000

## Available size (Without position indicator)

Size			Dimension (mm)		Working pressure	Ref. No.
Inch	DN	mm	L	H		
2"	50	60.3	178	241	PN 16	V0401 (FM)
2-1/2"	65	76.1	190	255	PN 16	V0402
3"	80	88.9	203	304	PN 16	V0403
4"	100	114.3	229	337	PN 16	V0404
5"	125	139.7	254	404	PN 16	V0405
6"	150	165.1	267	436	PN 16	V0406
8"	200	219.1	292	443	PN 16	V0407
10"	250	273.0	330	641	PN 16	V0408
12"	300	323.9	356	743	PN 16	V0409
14"	350	355.6	381	1364	PN 16	V0410
16"	400	406.4	406	1364	PN 16	V0411
18"	450	457	432	1364	PN 16	V0412
20"	500	508	457	1364	PN 16	V0413
24"	600	610	508	1364	PN 16	V0414



### Available size (With position indicator)

Size			Dimension (mm)		Working pressure	Ref. No.
Inch	DN	mm	L	H		
2"	50	60.3	178	282	PN 16 / PN 25	V0421 (FM)
2-1/2"	65	76.1	190	290	PN 16 / PN 25	V0422
3"	80	88.9	203	331	PN 16 / PN 25	V0423
4"	100	114.3	229	366	PN 16 / PN 25	V0424
5"	125	139.7	254	443	PN 16 / PN 25	V0425*
6"	150	165.1	267	490	PN 16 / PN 25	V0426
8"	200	219.1	292	560	PN 16 / PN 25	V0427
10"	250	273.0	330	691	PN 16	V0428
12"	300	323.9	356	803	PN 16	V0429

Note: \* For size 5" with working pressure PN 16, it is only UL listed, not FM approved.

### Available size (With electrical position indicator)

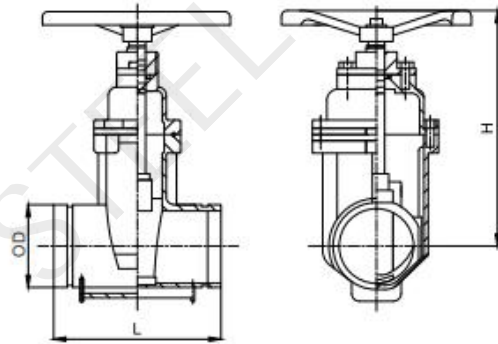
Size			Dimension (mm)		Working pressure	Ref. No.
Inch	DN	mm	L	H		
2"	50	60.3	178	265	PN 16	V0441(ISO)
2-1/2"	65	76.1	190	280	PN 16	V0442(ISO)
3"	80	88.9	203	329	PN 16	V0443(ISO)
4"	100	114.3	229	344	PN 16	V0444(ISO)
5"	125	139.7	254	362	PN 16	V0445(ISO)
6"	150	165.1	267	461	PN 16	V0446(ISO)
8"	200	219.1	292	531	PN 16	V0447(ISO)
10"	250	273.0	330	669	PN 16	V0448(ISO)
12"	300	323.9	356	764	PN 16	V0449(ISO)



# Grooved NRS gate valve



- Certificate: UL Listed / FM Approved
- Standard: BS EN 1074-2
- Connection: Grooved as ISO 6182
- Temperature: 0°C to 100°C
- W. pressure: PN 16
- Surface: FBE coating as AWWA C550



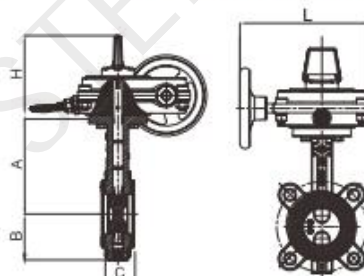
## Available size

Size			Dimension (mm)		Working pressure	Ref. No.
Inch	DN	mm	L	H		
2"	50	60.3	178	218	PN 16	V0501 (FM)
2-1/2"	65	76.1 / 73.0	190	230	PN 16	V0502
3"	80	88.9	203	281	PN 16	V0503
4"	100	114.3	229	316	PN 16	V0504
5"	125	139.7 / 141.3	254	393	PN 16	V0505
6"	150	165.1 / 168.3	267	420	PN 16	V0506
8"	200	219.1	292	490	PN 16	V0507
10"	250	273.0	330	626	PN 16	V0508
12"	300	323.9	356	722	PN 16	V0509

## Lug butterfly valve (Gear actuator & tamper switch)



- Certificate: UL Listed / FM Approved
- Standard: EN 593 / BS 5155
- Connection: Flanged as EN 1092-2, etc.
- Contact rating: 16A at 125/250VAC;  
0.5A at 250VDC; 10A at 36VDC
- Temperature: 0°C to 100°C
- W. pressure: PN 16
- Surface: FBE coating as AWWA C550



### Available size

Size			Dimension (mm)					Working pressure	Ref. No.
Inch	DN	mm	A	B	H	L	C		
2"	50	60.3	141	65	123	202	43	PN 16	V1501
2-1/2"	65	76.1	153	71	123	202	46	PN 16	V1502
3"	80	88.9	158	81	123	202	46	PN 16	V1503
4"	100	114.3	176	95	123	202	52	PN 16	V1504
5"	125	139.7	191	111	123	202	56	PN 16	V1505
6"	150	165.1	203	133	123	215	56	PN 16	V1506
8"	200	219.1	244	164	123	274	60	PN 16	V1507
10"	250	273.0	273	196	123	274	68	PN 16	V1508
12"	300	323.9	311	226	132	294	78	PN 16	V1509

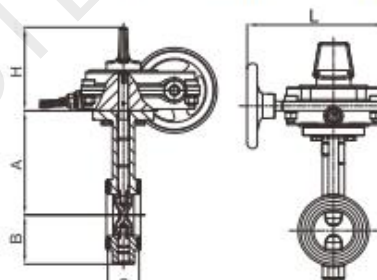
Note: The flanged end connection is available with EN 1092 PN10/16, JIS B2212 10K, BS 10 Table D/E, or AS 2129 Table D/E.



## Wafer butterfly valve (Gear actuator & tamper switch)



- Certificate: UL Listed / FM Approved
- Standard: EN 593 / BS 5155
- Connection: Flanged as EN 1092-2, etc.
- Contact rating: 16A at 125/250VAC;  
0.5A at 250VDC; 10A at 36VDC
- Temperature: 0°C to 100°C
- W. pressure: PN 16
- Surface: FBE coating as AWWA C550



### Available size

Size			Dimension (mm)					Working pressure	Ref. No.
Inch	DN	mm	A	B	H	L	C		
2"	50	60.3	141	65	123	202	43	PN 16	V1601
2-1/2"	65	76.1	153	71	123	202	46	PN 16	V1602
3"	80	88.9	158	81	123	202	46	PN 16	V1603
4"	100	114.3	176	95	123	202	52	PN 16	V1604
5"	125	139.7	191	111	123	202	56	PN 16	V1605
6"	150	165.1	203	133	123	215	56	PN 16	V1606
8"	200	219.1	244	164	123	274	60	PN 16	V1607
10"	250	273.0	273	196	123	274	68	PN 16	V1608
12"	300	323.9	311	226	132	294	78	PN 16	V1609

**Note:** The flanged end connection is available with EN 1092 PN10/16, JIS B2212 10K, BS 10 Table D/E, or AS 2129 Table D/E.

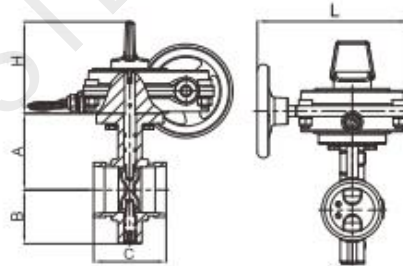




## Grooved butterfly valve (Gear actuator & tamper switch)



- Certificate: UL Listed / FM Approved
- Standard: EN 593 / BS 5155
- Connection: Grooved as ISO 6182
- Contact rating: 16A at 125/250VAC; 0.5A at 250VDC; 10A at 36VDC
- Temperature: 0°C to 100°C
- W. pressure: PN 16
- Surface: FBE coating as AWWA C550



### Available size

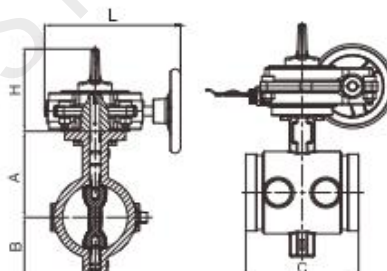
Size			Dimension (mm)					Working pressure	Ref. No.
Inch	DN	mm	A	B	H	L	C		
2"	50	60.3	89	65	123	202	81	PN 16	V1701
2-1/2"	65	76.1 / 73.0	102	71	123	202	97	PN 16	V1702
3"	80	88.9	109	81	123	202	97	PN 16	V1703
4"	100	114.3	128	95	123	202	116	PN 16	V1704
5"	125	139.7 / 141.3	141	111	123	202	148	PN 16	V1705
6"	150	165.1 / 168.3	153	133	123	215	148	PN 16	V1706
8"	200	219.1	184	164	123	274	153	PN 16	V1707
10"	250	273.0	216	196	123	274	159	PN 16	V1708
12"	300	323.9	254	226	132	294	165	PN 16	V1709



## Grooved butterfly valve (Gear actuator & tamper switch & tapped body)



- Certificate: UL Listed / FM Approved
- Standard: EN 593 / BS 5155
- Connection: Grooved as ISO 6182
- Contact rating: 16A at 125/250VAC; 0.5A at 250VDC; 10A at 36VDC
- Temperature: 0°C to 100°C
- W. pressure: PN 16 / PN 25
- Surface: FBE coating as AWWA C550



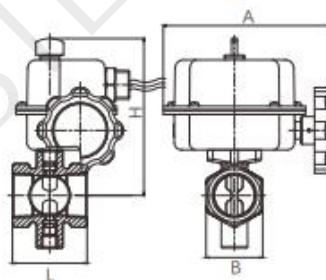
### Available size

Size			Dimension (mm)					Working pressure (psi)	Ref. No.
Inch	DN	mm	A	B	H	L	C		
2"	50	60.3	89	65	123	202	140	PN 16 / PN 25	V1801
2-1/2"	65	76.1 / 73.0	102	71	123	202	153	PN 16 / PN 25	V1802
3"	80	88.9	109	81	123	202	160	PN 16 / PN 25	V1803
4"	100	114.3	128	95	123	202	168	PN 16 / PN 25	V1804
5"	125	139.7 / 141.3	141	111	123	202	170	PN 16 / PN 25	V1805 (FM)
6"	150	165.1 / 168.3	153	133	123	215	175	PN 16 / PN 25	V1806
8"	200	219.1	184	165	123	274	201	PN 16 / PN 25	V1807 (UL)
10"	250	273.0	216	196	123	274	220	PN 16 / PN 25	V1808 (UL)
12"	300	323.9	254	226	132	294	235	PN 16 / PN 25	V1809 (UL)

## Threaded butterfly valve (Gear actuator & tamper switch)



- Certificate: UL Listed / FM Approved
- Standard: EN 593 / BS 5155
- Connection: Threaded as ISO 7-1
- Contact rating: 16A at 125/250VAC; 0.5A at 250VDC; 10A at 36VDC
- Temperature: 0°C to 100°C
- W. pressure: PN 10
- Surface: FBE coating as AWWA C550



### Available size

Size			Dimension (mm)				Working pressure	Ref. No.
Inch	DN	mm	A	B	H	L		
1"	25	33.7	125	41	115	54	PN 10	V1901
1-1/4"	32	42.4	125	49	118	67	PN 10	V1902
1-1/2"	40	48.3	125	56	121	73	PN 10	V1903
2"	50	60.3	125	71	131	83	PN 10	V1904

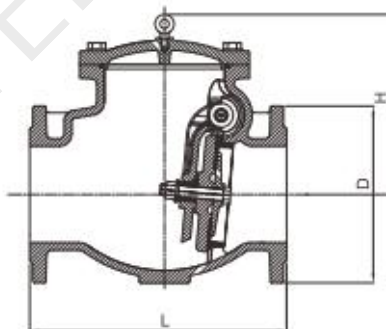




## Flanged swing check valve



- Certificate: UL Listed / FM Approved
- Standard: EN 1074-3
- Connection: Flanged as EN 1092-2
- Temperature: 0°C to 100°C
- W. pressure: PN 16 / PN 25
- Surface: FBE coating as AWWA C550



### Available size

Size		Dimension (mm)			Working pressure	Ref. No.
Inch	DN	mm	L	H		
2"	50	60.3	203	133	PN 16 / PN 25	V2101
2-1/2"	65	76.1	216	150	PN 16 / PN 25	V2102
3"	80	88.9	241	150	PN 16 / PN 25	V2103
4"	100	114.3	292	218	PN 16 / PN 25	V2104
5"	125	139.7	330	245	PN 16 / PN 25	V2105*
6"	150	165.1	356	290	PN 16 / PN 25	V2106
8"	200	219.1	495	330	PN 16 / PN 25	V2107
10"	250	273.0	622	350	PN 16	V2108
12"	300	323.9	698	376	PN 16	V2109

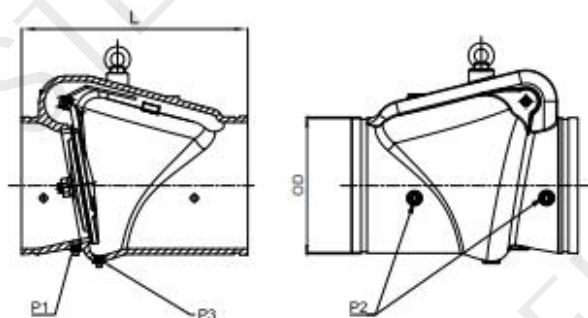
Note: \* For size 5" with working pressure PN 16, it is only FM approved, not UL listed.



## Grooved swing check valve



- Certificate: UL Listed / FM Approved
- Standard: EN 1074-3
- Connection: Grooved as ISO 6182
- Temperature: 0°C to 100°C
- W. pressure: PN 16
- Surface: FBE coating as AWWA C550



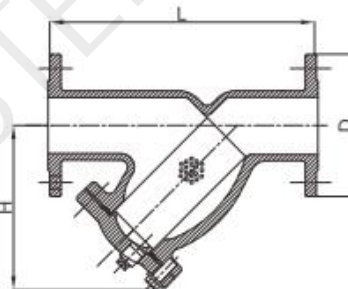
### Available size

Size		Length L (mm)	BSPT (NPT) plug		Working pressure	Ref. No.	
Inch	DN		mm	P1 / P3			P2
2"	50	60.3	171	1/2"	3/8"	PN 16	V2201
2-1/2"	65	76.1 / 73.0	184	1/2"	3/8"	PN 16	V2202
3"	80	88.9	197	1/2"	3/8"	PN 16	V2203
4"	100	114.3	210	1/2"	1/2"	PN 16	V2204
5"	125	139.7 / 141.3	248	1/2"	1/2"	PN 16	V2205 (FM)
6"	150	165.1 / 168.3	324	1/2"	1/2"	PN 16	V2206
8"	200	219.1	371	1/2"	1/2"	PN 16	V2207
10"	250	273.0	457	1/2"	1/2"	PN 16	V2208
12"	300	323.9	535	1/2"	1/2"	PN 16	V2209

## Flanged Y type strainer



- Certificate: UL Listed
- Standard: Refer to UL 321, NFPA 11, 13, 15, 16
- Connection: Flanged as EN 1092-2
- Temperature: 0°C to 100°C
- W. pressure: PN 16
- Surface: FBE coating as AWWA C550



### Available size

Size		Dimension (mm)			Working pressure	Ref. No.
Inch	DN	mm	L	H		
2"	50	60.3	230	140	PN 16	V2601
2-1/2"	65	76.1	290	175	PN 16	V2602
3"	80	88.9	310	198	PN 16	V2603
4"	100	114.3	350	229	PN 16	V2604
5"	125	139.7	400	287	PN 16	V2605
6"	150	165.1	480	304	PN 16	V2606
8"	200	219.1	600	371	PN 16	V2607
10"	250	273.0	730	469	PN 16	V2608
12"	300	323.9	850	540	PN 16	V2609

Note: When Monel material for screen is selected, the strainer is ISO certified, not UL listed.

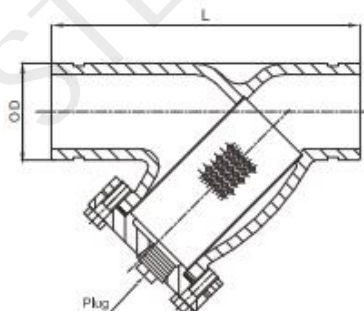


Phone: +86 022 83377302 Email: info@baolaisteel.com

## Grooved Y type strainer



- Certificate: UL Listed
- Standard: Refer to UL 321, NFPA 11, 13, 15, 16
- Connection: Grooved as ISO 6182
- Temperature: 0°C to 100°C
- W. pressure: PN 16
- Surface: FBE coating as AWWA C550



### Available size

Inch	Size		Length	Working pressure	Ref. No.
	DN	mm	L (mm)		
2"	50	60.3	248	PN 16	V2701
2-1/2"	65	76.1 / 73.0	273	PN 16	V2702
3"	80	88.9	299	PN 16	V2703
4"	100	114.3	362	PN 16	V2704
5"	125	139.7 / 141.3	419	PN 16	V2705
6"	150	165.1 / 168.3	470	PN 16	V2706
8"	200	219.1	610	PN 16	V2707
10"	250	273.0	686	PN 16	V2708
12"	300	323.9	762	PN 16	V2709

