

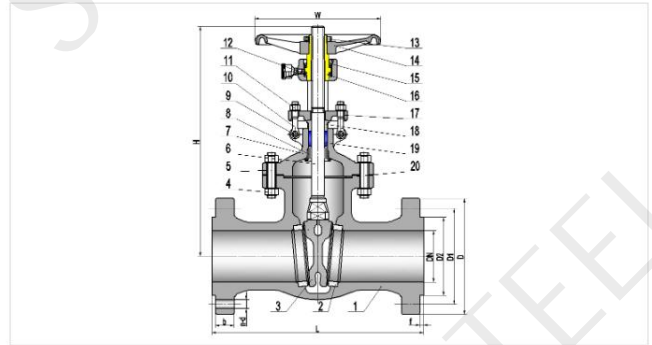
API600 Class 600 OS&Y Cast Steel Gate Valve



- ✓ Standard: API 598/600
- ✓ Pressure: 1~10MPa
- ✓ Size: DN50~DN600:2"-24"
- ✓ Material: WCB, Bronze, Brass, Stainless steel, A105
- ✓ Type: Rising Stem, BB, TB, OS&Y
- ✓ Medium: water oil gas and so on
- ✓ Operation: Hand Wheel. Gear Devices, Electric, Etc

Specification

Part Name	Material
Body	A216-WCB
Wedge	A216-WCB+CR13
Bonnet Stud Nut	A194-2H
Bonnet Stud	A193-B7
Stem	A182-F6a
Bonnet	A216-WCB
Stem Back Seat	A276-420
Eyebolt pin	Carbon Steel
Handwheel	Ductile Iron



Dimensions Data

NPS	2	2½	3	4	5	6	8	10	12	14	16	18	20	24
L	177.8	190.5	203.2	228.6	254	266.7	292.1	330.2	355.6	381	406	432	457	508
D	152	178	191	229	254	279	343	406	483	533	597	635	699	813
D1	120.7	139.7	152.4	190.5	215.9	241.3	298.5	362	431.8	476.3	539.8	577.9	635	749.3
D2	92	105	127	157	186	216	270	324	381	413	470	533	584	692
b	14.4	16.4	17.9	22.4	22.4	23.9	26.9	28.9	30.2	33.9	35.4	38.4	41.4	46.4
n-d	4-19	4-19	4-19	8-19	8-22	8-22	8-22	12-25	12-25	12-29	16-29	16-32	20-32	20-35
f	1.6	1.6	1.6	1.6	1.6	1.6	1.6	1.6	1.6	1.6	1.6	1.6	1.6	1.6
H	345	387	430	513	583	648	790	935	1100	1200	1330	1480	1635	1935
W	200	200	250	250	300	300	350	400	450	500	500	600	600	650

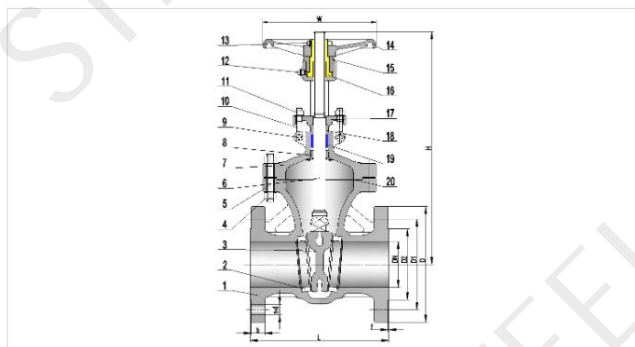
API600 Class 300 OS&Y Cast Steel Gate Valve



- ✓ Standard: API 598/600
- ✓ Pressure: 0.6~5MPa
- ✓ Size: DN50~DN600:2''-24''
- ✓ Material: WCB, Bronze, Brass, Stainless steel
- ✓ Type: Rising Stem, BB, TB, OS&Y
- ✓ Medium: water oil gas and so on
- ✓ Operation: Hand Wheel. Gear Devices, Electric, Etc

Specification

Part Name	Material
Body	A216-WCB
Wedge	A216-WCB+CR13
Bonnet Stud Nut	A194-2H
Bonnet Stud	A193-B7
Stem	A182-F6a
Bonnet	A216-WCB
Stem Back Seat	A276-420
Eyebolt pin	Carbon Steel
Handwheel	Ductile Iron



Dimensions Data

NPS	2	2½	3	4	5	6	8	10	12	14	16	18	20	24
L	177.8	190.5	203.2	228.6	254	266.7	292.1	330.2	355.6	381	406	432	457	508
D	152	178	191	229	254	279	343	406	483	533	597	635	699	813
D1	120.7	139.7	152.4	190.5	215.9	241.3	298.5	362	431.8	476.3	539.8	577.9	635	749.3
D2	92	105	127	157	186	216	270	324	381	413	470	533	584	692
b	14.4	16.4	17.9	22.4	22.4	23.9	26.9	28.9	30.2	33.9	35.4	38.4	41.4	46.4
n-d	4-19	4-19	4-19	8-19	8-22	8-22	8-22	12-25	12-25	12-29	16-29	16-32	20-32	20-35
f	1.6	1.6	1.6	1.6	1.6	1.6	1.6	1.6	1.6	1.6	1.6	1.6	1.6	1.6
H	345	387	430	513	583	648	790	935	1100	1200	1330	1480	1635	1935
W	200	200	250	250	300	300	350	400	450	500	500	600	600	650



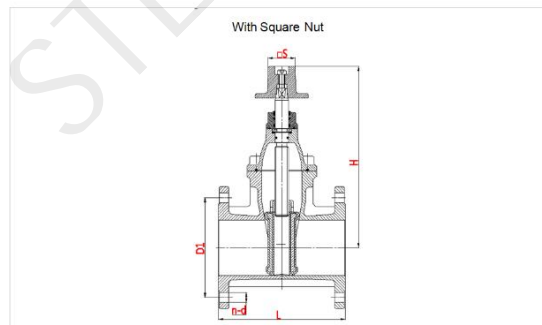
Ductile Iron Flanged NRS Resilient Wedge Gate Valve



- ✓ Design standard AWWA C509/515.
- ✓ Very low flow resistance for good flow performance.
- ✓ The valve is symmetrical on both sides, without directionality and easy to install.
- ✓ The bottom of the gate valve is flush with the pipe, easy to clean, not easy to causedebris deposition, so that the fluid is unobstructed.
- ✓ The valve apply internally and externally fusion bonded food grade epoxy power coated, and the disc liner food grade rubber. Rust proof and cleanly.
- ✓ Reliable sealing and zero leakage.

Specification

Max Working Pressure	200PSI
Working Temperature	-10°C--120°C (14°F - 248°F)
Service Medium	Fresh Water, Sea Water, Sewage, Oil etc.
PART	SPECIFICATION
Body	ASTM A536 65-45-12
Bonnet	ASTM A536 65-45-12
Disc	ASTM A536 65-45-12
Handwheel	ASTM A536 65-45-12
Stem	ASTM A276 SS420
Coating	Food Grade Epoxy Power WRAS Approved
Seat*	Food Grade EPDM WRAS Approved



Dimensions Data

SIZE		DIMENSIONS													
		L		H		W		eS		D1		n	d		
in.	mm	in.	mm	in.	mm	in.	mm	in.	mm	in.	mm	Q'ty	in.	mm	Bolts
2	50	7	178	8.3	211	6.3	160	2	50	4 3/4	120.7	4	0.748	19	5/8
2 1/2	65	7 1/2	191	9.3	237	7.9	200	2	50	5 1/2	139.7	4	0.748	19	5/8
3	80	8	203	10.7	273	7.9	200	2	50	6	152.4	4	0.748	19	5/8
4	100	9	229	12	304	7.9	200	2	50	7 1/2	190.5	8	0.748	19	5/8
5	125	10	254	14.3	364	9.8	250	2	50	8 1/2	215.9	8	0.906	23	3/4
6	150	10 1/2	267	15.9	404	9.8	250	2	50	9 1/2	241.3	8	0.906	23	3/4
8	200	11 1/2	292	19.6	497	12.6	320	2	50	11 3/4	298.5	8	0.906	23	3/4
10	250	13	330	23.2	590	14.6	370	2	50	14 1/4	362	12	0.984	25	7/8
12	300	14	356	26.3	667	14.6	370	2	50	17	431.8	12	0.984	25	7/8
14	350	15	381	30	762	17.7	450	2	50	18 3/4	476.3	12	1.142	29	1
16	400	16	406	32.9	836	17.7	450	2	50	21 1/4	539.8	16	1.142	29	1
18	450	17	432	37.7	957	17.7	450	2	50	22 3/4	577.9	16	1.26	32	1 1/8
20	500	18	457	40.8	1036	17.7	450	2	50	25	635	20	1.26	32	1 1/8
24	600	20	508	46.8	1188	17.7	450	2	50	29 1/2	749.3	20	1.378	35	1 1/4

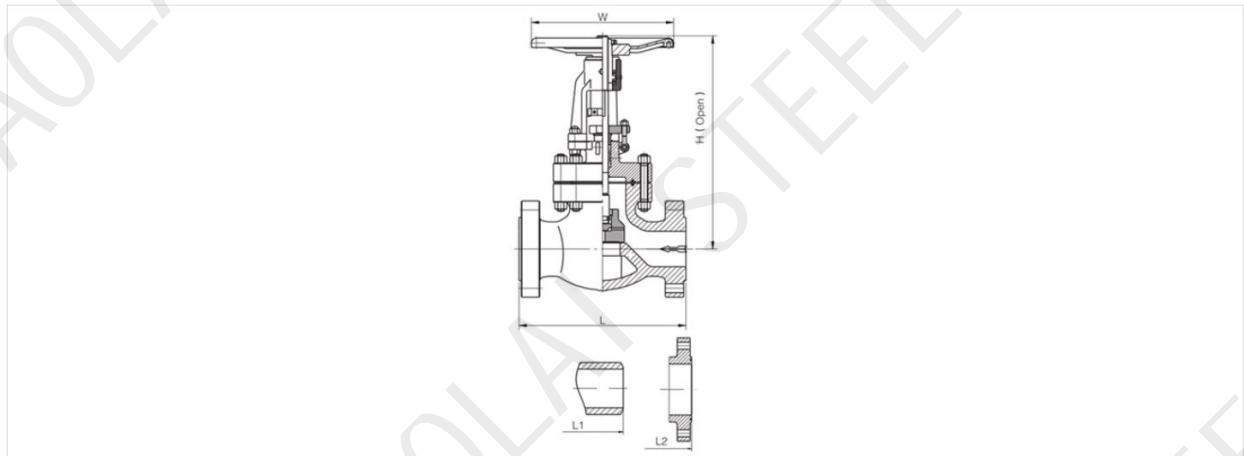


Class 600 Cast Steel Globe Valve



- ✓ Standard: API598, DIN3356, BS7350, ANSI B16.34
- ✓ Size : DN15~DN300mm (1/2"-12")
- ✓ Pressure : PN1.0~10MPa(class150-class600)
- ✓ Suitable Mediums: water , oil , gas, steam
- ✓ Body material: Carbon Steel A216 WCB/A105 , Stainless steel

Specification



Dimensions Data

Size	in	1/2	3/4	1	1 1/2	2	2 1/2	3	4	6	8	10	12	14	16
	mm	15	20	25	40	50	65	80	100	150	200	250	300	350	400
L/L1 (RF/BW)	in	6.5	7.5	8.5	9.5	11.5	13	14	17	22	26	31	33	-	-
	mm	165	190	216	241	292	330	356	432	559	660	787	838	-	-
L2 (RTJ)	in	-	-	-	-	11.62	13.12	14.12	17.12	22.12	26.12	31.12	33.13	-	-
	mm	-	-	-	-	295	333	359	435	562	663	790	841	-	-
H (Open)	in	7.25	7.62	9	11	17.5	19.75	21	24.5	29.5	36.5	44.88	53.12	-	-
	mm	185	195	230	280	445	502	533	622	750	927	1140	1350	-	-
D0	in	4	4	6	8	10	11	13	16	18	20	24	24	-	-
	mm	100	100	140	200	240	280	320	400	450	500	600	600	-	-
WT (Kg)	BW	6	8	14	23	35	50	60	110	230	410	770	1140	-	-
	RF/RTJ	4.8	6.2	9.5	16.5	27	34	42	84	192	350	680	1030	-	-

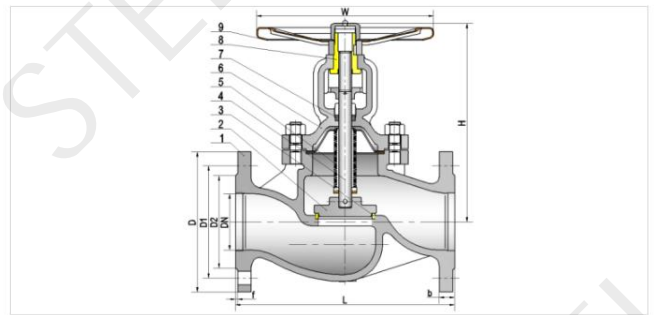
DIN3356 PN16 Cast Steel Bellow Globe Valve



- ✓ Standard: DIN3356, BS7350 EN12266-1
- ✓ Size : DN15~DN300mm (1/2"-12")
- ✓ Pressure : PN16
- ✓ Suitable Mediums: water, oil, gas, steam
- ✓ Body material: Carbon Steel A216 WCB/A105 ,Stainless steel

Specification

Part Name	Material
Body	WCB
Seat ring	CuSn5Zn5Pb5-C/SS304
Disk	CuAl10Fe5Ni5-C/2Cr13
Stem	CW713R/2Cr13
Bonnet	WCB
Packing	Graphite
Stem nut	16Mn
Handwheel	EN-GJS-500-7



Dimensions Data

DN	15	20	25	32	40	50	65	80	100	125	150	200	250	300
L	130	150	160	180	200	230	290	310	350	400	480	600	730	850
D	95	105	115	140	150	165	185	200	220	250	285	340	405	460
D1	65	75	85	100	110	125	145	160	180	210	240	295	355	410
D2	45	58	68	78	88	102	122	138	158	188	212	268	320	378
b	16	18	18	18	18	18	18	20	20	22	22	24	26	28
n-d	4-14	4-14	4-14	4-18	4-18	4-18	8-18	8-18	8-18	8-18	8-22	12-22	12-26	12-26
f	2	2	2	2	2	2	2	2	2	2	2	2	2	2
H	189	189	211	219	229	237	265	291	323	384	432	491	630	750
W	120	120	180	180	180	200	200	255	255	306	406	450	508	508

Class 150-300 Cast Steel Check Valve



- ✓ Standard: API 598, ANSI B16.34 API 6D
- ✓ Size : DN15~DN600mm (1/2"-24")
- ✓ Body material: Carbon Steel A216 WCB/A105 ,Stainless steel
- ✓ Suitable Mediums: water , oil , gas, steam
- ✓ Type: wafer , swing

Dimensions Data

Size	in	1/2	3/4	1	1 1/2	2	2 1/2	3	4	6	8	10	12	14	16	18	20	24	26
	mm	15	20	25	40	50	65	80	100	150	200	250	300	350	400	450	500	600	650
L/L1 (RF/BW)	in	4.25	4.62	5	6.5	8	8.5	9.5	11.5	14	19.5	24.5	27.5	31	34	38.5	38.5	51	-
	mm	108	117	127	165	203	216	241	292	356	495	622	699	787	864	978	978	1295	-
L2 (RTJ)	in	-	-	-	-	8.5	9	10	12	14.5	20	25	28	31.5	34.5	39	39	21.5	-
	mm	-	-	-	-	216	229	254	305	368	508	635	711	800	876	991	991	1308	-
H (Open)	in	3.12	3.38	3.88	4.38	6	6.5	6.88	8	11.5	13.88	15.38	17	18.75	20.62	22.88	24.62	24.75	-
	mm	80	85	100	110	152	165	175	204	293	353	390	432	475	525	582	627	883	-
WT (Kg)	BW	2.5	3.5	5	7.5	14	20	25	40	71	118	177	263	353	542	632	855	970	-
	RF/RTJ	2	3	3.5	5.5	10	12	17	29	57	96	143	227	295	468	552	755	831	-

Size	in	1/2	3/4	1	1 1/2	2	2 1/2	3	4	6	8	10	12	14	16	18	20	24	26
	mm	15	20	25	40	50	65	80	100	150	200	250	300	350	400	450	500	600	650
L/L1 (RF/BW)	in	6	7	8	9	10.5	11.5	12.5	14	17.5	21	24.5	28	33	34	38.5	40	53	-
	mm	152	178	203	229	267	292	318	356	445	533	622	711	838	864	978	1016	1346	-
L2 (RTJ)	in	-	-	-	-	11.12	12.12	13.12	14.62	18.12	21.62	25.12	28.62	33.62	34.62	39.12	40.75	53.88	-
	mm	-	-	-	-	283	308	333	371	460	549	638	727	854	879	994	1035	1368	-
H (Open)	in	3.12	3.38	3.88	4.38	6	6.5	6.88	8	11.5	13.88	15.38	17	18.75	20.62	22.88	24.62	34.75	-
	mm	80	85	100	110	152	165	175	204	293	353	390	432	475	525	582	627	883	-
WT (Kg)	BW	3	4	6	10	16	23	29	46	82	136	204	302	405	625	730	985	1115	-
	RF/RTJ	2.5	3.5	5	7	11	13	18	31	61	103	155	245	315	503	593	812	895	-

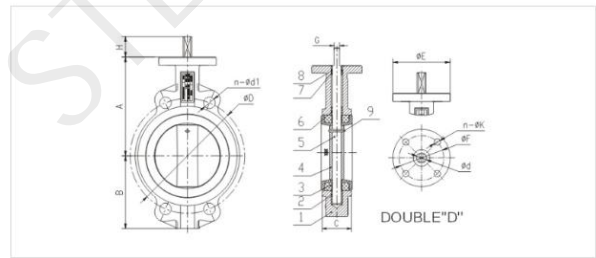
EN593 PN10/ PN16/ PN25/ Class 125/ Wafer Type Butterfly Valve With PINS



- ✓ Butterfly Valve
- ✓ Medium: water
- ✓ Standard: EN593/AWWA C504/MSS SP-67
- ✓ Pressure: CLASS 125-300/PN10-25/200-300PSI
- ✓ Material: CI, DI
- ✓ Type: Wafer Type

Specification

Part Name	Material
Body	DI
Seat	NBR
Disc	Plated Ductile Iron
Shaft	ASTM A276 416
Middle Bearing	F4
O Ring	NBR
Pin	ASTM A276 416



Dimensions Data

H	ΦE	ΦF	N-ΦK	Φd	G	EN1092-2 PN10			EN1092-2 PN16			ANSI CLASS 125		
						ΦD	n-Φd1	n-M	ΦD	n-Φd1	n-M	ΦD	n-Φd1	n-M
32	90	50	4-Φ7	12.6	9.5	110	4-Φ19	4-M16	110	4-Φ19	4-M16	98.5	4-Φ16	4-1/2"
32	90	50	4-Φ7	12.6	9.5	125	4-Φ19	4-M16	125	4-Φ19	4-M16	120.5	4-Φ19	4-5/8"
32	90	50	4-Φ7	12.6	9.5	145	4-Φ19	4-M16	145	4-Φ19	4-M16	139.5	4-Φ19	4-5/8"
32	90	50	4-Φ7	12.6	9.5	160	8-Φ19	8-M16	160	8-Φ19	8-M16	152.5	4-Φ19	4-5/8"
32	90	70	4-Φ10	15.8	11.1	180	8-Φ19	8-M16	180	8-Φ19	8-M16	190.5	8-Φ19	8-5/8"
32	90	70	4-Φ10	18.92	12.7	210	8-Φ19	8-M16	210	8-Φ19	8-M16	216	8-Φ22	8-3/4"
32	90	70	4-Φ10	18.92	12.7	240	8-Φ23	8-M20	240	8-Φ23	8-M20	241.5	8-Φ22	8-3/4"
45	125	102	4-Φ12	22.1	15.9	295	8-Φ23	8-M20	295	12-Φ23	12-M20	298.5	8-Φ22	8-3/4"
45	125	102	4-Φ12	28.45	22	350	12-Φ23	12-M20	355	12-Φ28	12-M24	362	12-Φ25	12-7/8"
45	150	125	4-Φ14	31.6	24	400	12-Φ23	12-M20	410	12-Φ28	12-M24	432	12-Φ25	12-7/8"
45	150	125	4-Φ14	31.6	24	460	16-Φ23	16-M20	470	16-Φ28	16-M24	476	12-Φ29	12-1"
50	150	125	4-Φ14	33.15	27	515	16-Φ28	16-M24	525	16-Φ31	16-M27	539.5	16-Φ29	16-1"
50	210	140	4-Φ18	37.95	27	565	20-Φ28	20-M24	585	20-Φ31	20-M27	578	16-Φ32	16-1 1/8"
60	210	140	4-Φ18	41.12	32	620	20-Φ28	20-M24	650	20-Φ34	20-M31	635	20-Φ32	20-1 1/8"
70	210	165	4-Φ22	50.62	36	725	20-Φ31	20-M27	770	20-Φ37	20-M33	749.5	20-Φ35	20-1 1/4"
72	300	254	8-Φ18	63.35	KEY 2-18	840	24-Φ31	24-M27	840	24-Φ37	24-M33	863.6	28-Φ35	28-1 1/4"

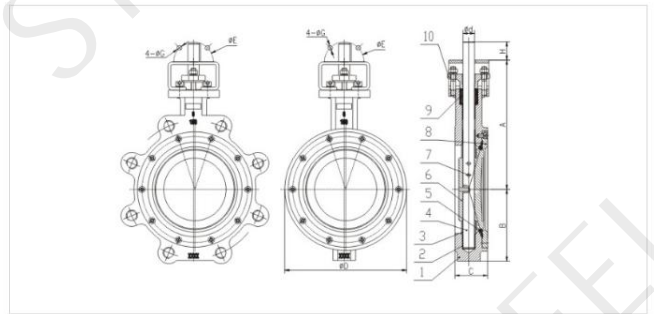
High Performance Butterfly Valve



- ✓ Standard: API609, EN12266-1, MSS SP-68
- ✓ Size : DN50~DN600mm (1/2"-24")
- ✓ Pressure : Class150-Class300
- ✓ Suitable Mediums: water , oil , gas, steam
- ✓ Body material: Carbon Steel A216 WCB/A105 , Stainless steel
- ✓ Type: wafer , lug

Specification

Part Name	Material
Body	ASTM A351 CF8M
Seat	PTFE
Disc	ASTM A351 CF8M
Seat Retainer Plate	ASTM A351 CF8M
Packing Washer	PTFE
Gland	ASTM A351 CF8M
Key	Carbon Steel
Mounting Plate	ASTM A351 CF8M



Dimensions Data

Dimensions data(mm)

DN	A	B	ASME CLASS 150		ASME CLASS 300		ΦD	H	Φd	ΦE	4-ΦG
			C								
2.5"	155	70	48		48		120	32	16	70	10
3"	175	76	48		48		130	32	16	70	10
4"	176	92	54		54		160	32	19	70	10
6"	225	125	57		59		215	32	20	70	10
8"	267	150	64		73		273	45	26	102	12
10"	276	175	71		83		325	45	32	125	13
12"	320	240	81		92		375	45	36	125	13

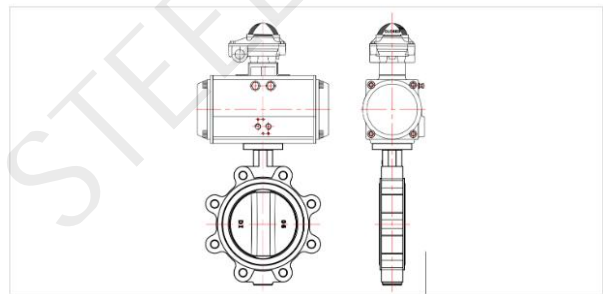
Pneumatic actuator butterfly valve



- ✔ Size: DN40-DN600: 1.5"-24"
- ✔ Medium: Sea Water, Water
- ✔ Standard: EN593/AWWA C504/MSS SP-67
- ✔ Pressure: CLASS 125-300/PN10-25/200-300PSI
- ✔ Material: CI, DI, AI-bronze, stainless steel
- ✔ Type: Wafer type, lug type, double flange type, U type flange.

Specification

Part Name	Material
Body	DI
Down Bearing	F4
Seat	NBR
Disc	Plated Ductile Iron
Shaft	ASTM A276 416
Middle Bearing	F4
Upper Bearing	F4
O Ring	NBR



Dimensions Data

DN	A	B	C	H	ΦE	ΦF	N-ΦK	Φd	G	EN1092-2 PN10			EN1092-2 PN16		
										ΦD	n-Φd1	n-M	ΦD	n-Φd1	n-M
DN40	120 (140)	75	33	32	90	50	4-Φ7	12.6	9.5	110	4-Φ19	4-M16	110	4-Φ19	4-M16
DN50	124 (161)	80	43	32	90	50	4-Φ7	12.6	9.5	125	4-Φ19	4-M16	125	4-Φ19	4-M16
DN65	134 (175)	89	46	32	90	50	4-Φ7	12.6	9.5	145	4-Φ19	4-M16	145	4-Φ19	4-M16
DN80	141 (181)	95	46	32	90	50	4-Φ7	12.6	9.5	160	8-Φ19	8-M16	160	8-Φ19	8-M16
DN100	156 (200)	114	52	32	90	70	4-Φ10	15.8	11.1	180	8-Φ19	8-M16	180	8-Φ19	8-M16
DN125	168 (213)	127	56	32	90	70	4-Φ10	18.92	12.7	210	8-Φ19	8-M16	210	8-Φ19	8-M16
DN150	184 (226)	140	56	32	90	70	4-Φ10	18.92	12.7	240	8-Φ23	8-M20	240	8-Φ23	8-M20
DN200	213 (260)	175	60	45	125	102	4-Φ12	22.1	15.9	295	8-Φ23	8-M20	295	12-Φ23	12-M20
DN250	244 (292)	220	68	45	125	102	4-Φ12	28.45	22	350	12-Φ23	12-M20	355	12-Φ28	12-M24
DN300	283 (337)	255	78	45	150	125	4-Φ14	31.6	24	400	12-Φ23	12-M20	410	12-Φ28	12-M24
DN350	368	267	78	45	150	125	4-Φ14	31.6	24	460	16-Φ23	16-M20	470	16-Φ28	16-M24
DN400	400	323	102	50	150	125	4-Φ14	33.15	27	515	16-Φ28	16-M24	525	16-Φ31	16-M27
DN450	422	342	114	50	210	140	4-Φ18	37.95	27	565	20-Φ28	20-M24	585	20-Φ31	20-M27
DN500	479	373	127	60	210	140	4-Φ18	41.12	32	620	20-Φ28	20-M24	650	20-Φ34	20-M31
DN600	562	467	154	70	210	165	4-Φ22	50.62	36	725	20-Φ31	20-M27	770	20-Φ37	20-M33



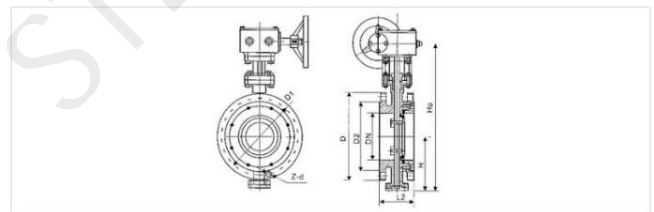
TRI - Eccentric Butterfly Valve



- ✓ Standard:API609,EN12266-1
- ✓ Size : DN50~DN1000mm (2"-40")
- ✓ Pressure : PN1.0~10MPa(class150-class600)
- ✓ Suitable Mediums:water , oil , gas,steam
- ✓ Body material:Carbon Steel A216 WCB/A105 ,Stainless steel
- ✓ Type:wafer ,lug

Specification

PART NAME	MATERIAL
BODY	WCB, 304, 316, CF8, CF8M
DISC	WCB, 304, 316, CF8, CF8M
STEM	316, 2Cr13, 1Cr18Ni9Ti
SEAL RING	Fluorine plastic
PACKING	Flexible graphite, fluorine plastic



Dimensions Data

Dimensions data(mm) Class 150

DN Nominal diameter		Face to Face(standand)				External Dimension(reference)				Connection dimension(standand)							
		L		L1		H		H0		D		D1		D2		M	Z-d
inch	mm	inch	mm	inch	mm	inch	mm	inch	mm	inch	mm	inch	mm	inch	mm	inch	mm
2"	50	1.69	43	4.25	108	4.33	110	13.58	345	6.00	152	4.75	120.5	3.62	92	M16	4-18
2.1/2"	65	1.81	46	4.40	112	4.64	118	14.25	362	7.00	178	5.50	139.5	4.13	105	M16	4-18
3"	80	1.88	48	4.50	114	4.92	125	14.96	380	7.50	190	6.00	152.5	5.00	127	M16	4-18
4"	100	2.12	54	5.00	127	5.70	145	16.34	415	9.00	229	7.50	190.5	6.19	157	M16	8-18
5"	125	2.19	56	5.50	140	6.50	165	17.91	455	10.00	254	8.50	216	7.32	186	M20	8-22
6"	150	2.25	57	5.50	140	6.89	175	21.45	545	11.00	279	9.50	241.5	8.50	216	M20	8-22
8"	200	2.50	64	6.00	152	8.26	210	24.21	615	13.50	343	11.75	298.5	10.62	270	M20	8-22
10"	250	2.81	71	6.50	165	9.84	250	27.36	695	16.00	406	14.25	362	12.75	324	M24	12-26
12"	300	3.19	81	7.00	178	11.24	285	32.78	830	19.00	483	17.00	432	15.00	381	M24	12-26
14"	350	3.62	92	7.50	190	12.60	320	35.43	900	21.00	533	18.75	476	16.25	413	M27	12-30
16"	400	4.00	102	8.50	216	13.98	355	38.58	980	23.50	597	21.25	540	18.50	470	M27	16-30



18"	450	4.50	114	8.75	222	14.96	380	40.55	1030	25.00	635	22.75	578	21.00	533	M30	16-33
20"	500	5.00	127	9.00	229	16.34	415	43.70	1110	27.50	699	25.00	635	23.00	584	M30	20-33
24"	600	6.06	154	10.50	267	18.70	475	51.37	1305	32.00	813	29.50	749.5	27.25	692	M33	20-36
26"	650	6.50	165	11.50	292	20.85	530	54.72	1390	34.25	788	29.31	745	28.00	711	M20	36-22
28"	700	6.50	165	11.50	292	22.04	560	58.07	1475	32.94	837	31.31	795	30.00	762	M20	40-22
30"	750	6.50	165	12.52	318	22.38	580	60.03	1525	34.94	887	33.31	845	32.00	813	M20	44-22
32"	800	7.50	190	12.50	318	24.80	630	62.40	1585	37.06	941	35.44	900	34.00	864	M20	48-22
34"	850	7.88	200	13.00	330	25.60	650	63.00	1600	39.56	1005	37.69	957	36.25	921	M24	40-26
36"	900	7.88	200	13.00	330	26.77	680	69.48	1765	41.62	1057	39.75	1010	38.25	972	M24	44-26
38"	950	7.88	200	16.14	410	27.95	710	72.84	1850	44.25	1124	42.12	1070	40.25	1022	M27	40-30
40"	1000	8.50	216	16.14	410	29.53	750	76.00	1930	46.25	1175	44.12	1121	42.50	1080	M27	44-30

Dimensions data(mm) Class 300

DN Nominal diameter	Face to Face(standard)					External Dimension(reference)					Connection dimension(standard)							
	L		L2			H		H0			D		D1		D2		M	Z-d
	inch	mm	inch	mm	inch	mm	inch	mm	inch	mm	inch	mm	inch	mm	inch	mm	inch	mm
2"	50	1.69	43	4.25	108	4.33	110	13.58	345	6.50	165	5.00	127	3.62	92	M16	8-18	
2.1/2"	65	1.81	46	4.41	112	4.64	118	14.25	362	7.50	190	5.86	149	4.13	105	M20	8-22	
3"	80	1.88	48	7.10	180	4.92	125	14.96	380	8.25	210	6.63	168	5.00	127	M20	8-22	
4"	100	2.12	54	7.50	190	5.70	145	16.34	415	10.00	254	7.87	200	6.19	157	M20	8-22	
5"	125	2.19	56	8.27	210	6.50	165	17.91	455	11.00	279	9.25	235	7.32	186	M20	8-22	
6"	150	2.31	59	8.27	210	6.89	175	21.45	545	12.50	318	10.63	270	8.50	216	M20	12-22	
8"	200	2.88	73	9.06	230	8.26	210	24.21	645	15.00	381	13.00	330	10.62	270	M24	12-26	
10"	250	3.25	83	9.84	250	9.84	250	27.36	695	17.50	445	15.24	387	12.75	324	M27	16-30	
12"	300	3.62	92	10.63	270	11.24	285	32.78	830	20.50	521	17.76	451	15.00	381	M30	16-33	
14"	350	4.62	117	11.42	290	12.60	320	35.43	900	23.00	584	20.24	514	16.25	413	M30	20-33	
16"	400	5.25	133	12.20	310	13.98	355	38.58	980	25.50	648	22.50	571	18.50	470	M33	20-36	

18"	450	5.88	149	12.99	330	14.96	380	40.55	1030	28.00	711	24.75	628	21.00	533	M33	24-36
20"	500	6.25	159	13.78	350	16.34	415	43.70	1110	30.50	775	27.00	686	23.00	584	M33	24-36
22"	550	7.12	181	15.35	390	17.50	445	46.50	1180	33.00	838	29.25	743	25.25	641	M39	24-42
24"	600	7.12	181	15.35	390	18.70	475	51.37	1305	36.00	914	32.00	813	27.25	692	M39	24-42
26"	650	8.25	210	16.14	410	20.00	510	54.00	1370	34.12	867	31.62	803	29.00	737	M33	32-36
28"	700	9.01	229	16.93	430	22.04	560	58.07	1475	36.25	921	33.75	857	31.00	787	M33	36-36
30"	750	9.01	229	17.72	450	22.38	580	60.03	1525	39.00	991	36.25	921	33.25	845	M36	36-39
32"	800	9.48	241	18.50	470	25.59	650	64.37	1635	41.50	1054	38.50	978	35.50	902	M39	32-42
34"	850	9.48	241	20.08	510	26.00	660	66.00	1675	43.62	1108	40.62	1032	37.50	953	M39	36-42
36"	900	9.48	241	20.08	510	26.77	680	69.48	1765	46.12	1172	42.88	1039	39.75	1010	M42	32-45
38"	950	11.80	300	20.87	530	28.50	725	72.00	1830	48.12	1222	44.88	1140	41.75	1060	M42	36-45
40"	1000	11.80	300	21.65	550	31.00	785	78.00	1980	50.12	1273	46.88	1191	43.88	1115	M42	40-45





Dimensions data(mm) Class 600

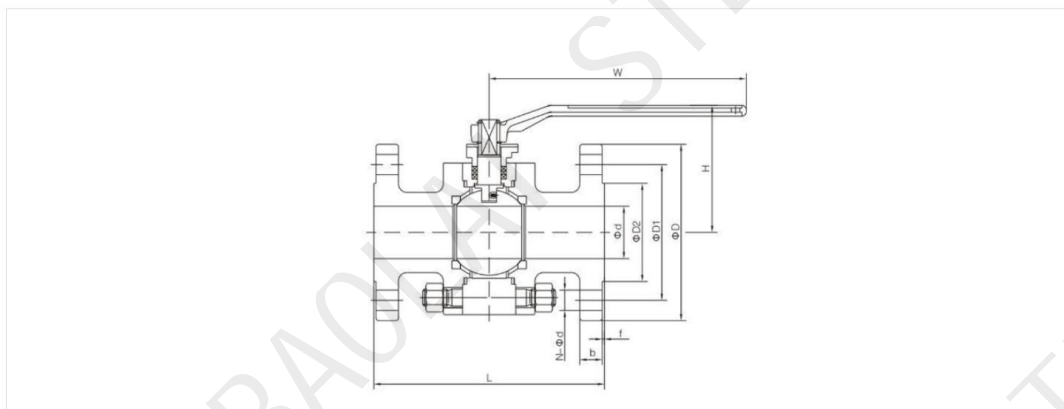
DN Nominal diameter		Face to Face		External Dimension(reference)				Connection dimension(standard)							
		L		H		H0		D		D1		D2		M	Z-d
inch	mm	inch	mm	inch	mm	inch	mm	inch	mm	inch	mm	inch	mm	inch	mm
2"	50	5.90	150	4.50	115	15.00	380	6.50	165	5.00	127	3.62	92	M16	8-19
2.1/2"	65	6.70	170	5.75	145	17.00	430	7.50	190	5.88	149	4.13	105	M20	8-22
3"	80	7.10	180	6.10	155	17.50	445	8.25	210	6.62	168	5.00	127	M20	8-22
4"	100	7.48	190	7.80	195	20.80	530	10.00	273	8.50	216	6.19	157	M24	8-26
5"	125	7.88	200	8.80	225	23.20	590	13.00	330	10.50	267	7.31	186	M27	8-29.5
6"	150	8.25	210	9.40	240	24.50	620	14.00	355	11.50	292	8.50	216	M27	12-29.5
8"	200	9.05	230	11.00	280	29.00	735	16.50	419	13.75	349	10.62	270	M30	12-32.5
10"	250	9.85	250	12.40	315	32.00	810	20.00	508	17.00	432	12.75	324	M33	16-35.5
12"	300	10.62	270	13.50	345	34.50	875	22.00	559	19.25	489	15.00	381	M33	20-35.5
14"	350	11.42	290	14.50	370	37.80	960	23.75	603	20.75	527	16.25	413	M36	20-39
16"	400	12.20	310	16.50	420	41.70	1060	27.00	685	23.75	603	18.50	470	M39	20-42
18"	450	13.00	330	17.50	445	43.70	1110	29.25	743	25.75	654	21.00	533	M42	20-45
20"	500	13.78	350	19.00	485	50.00	1270	32.00	813	28.50	724	23.00	584	M42	24-45
22"	550	14.56	370	20.30	515	52.40	1330	34.25	870	30.62	778	25.25	641	M45	24-48
24"	600	15.36	390	22.50	570	56.70	1440	37.00	940	33.00	838	27.25	692	M48	24-51
26"	650	16.15	410	23.00	585	60.00	1525	35.00	889	31.75	806	28.62	727	M42	28-45
28"	700	16.93	430	24.50	620	62.60	1590	37.50	953	34.00	864	30.88	784	M45	28-48

Float Ball Valve



- ✔ Material SS316,316L,304 ,brass,bronze,WCB
- ✔ Pressure class 150-class600
- ✔ Connection ferrule
- ✔ Power Manual
- ✔ Seated Metal
- ✔ Media Gas,water,etc
- ✔ Type: 2-way 3-way 1-way ,full welded,float, trunnion

Specification



Dimensions Data

Pressure rating	Nominal Diameter		d	Flange		Bult welding	Raised face flange						W	cast steel	forged steel	Weight(kg)		
	Class	NPS		DN	L(RF)		L(RTJ)	L(BW)	D	D1	D2	f				b	N-φd	H
150		1/2"	15	13	108	/	140	90	60.5	35	2	9	4-φ16	140	80	78	2	△
		3/4"	20	19	117	/	152	100	70	43	2	10	4-φ16	140	86	82	2.5	△
		1"	25	25	127	/	165	110	79.5	51	2	11	4-φ16	140	98	95	3.5	△
		1 1/4"	32	32	140	/	178	115	89	64	2	11	4-φ16	180	106	100	6.5	△
		1 1/2"	40	38	165	/	190	125	98.5	73	2	13	4-φ16	180	133	128	7.5	△
		2"	50	50	178	191	216	150	120.5	92	2	14.5	4-φ19	200	138	137	9	△
		3"	80	75	203	216	283	190	152.5	127	2	17.5	4-φ19	300	175	148	19	△
		4"	100	100	229	241	305	230	190.5	157	2	22.5	8-φ19	650	235	223	36	△
		6"	150	150	394	406	457	280	214.5	216	2	24	8-φ22	800	285	278	78	△
	8"	200	201	457	470	521	345	295.5	270	2	27	8-φ22	1000	342	336	160	△	



STEEL PIPE SINCE 1991
BAOLAI

300	1/2"	15	13	140	/	140	95	66.5	35	2	13	4-Φ16	140	80	78	2.5	Δ
	3/4"	20	19	152	/	152	115	82.5	43	2	14.5	4-Φ19	140	86	82	3.6	Δ
	1"	25	25	165	/	165	125	89	51	2	16	4-Φ19	140	98	95	5	Δ
	1 1/4"	32	32	178	/	178	135	98.5	64	2	17.5	4-Φ19	180	106	100	8.5	Δ
	1 1/2"	40	38	190	/	190	155	114.5	73	2	19.5	4-Φ22	180	133	128	10	Δ
	2"	50	50	216	232	216	165	127	92	2	21	8-Φ19	200	138	137	12	Δ
	3"	80	75	283	298	293	210	168.5	127	2	27	8-Φ22	300	175	148	28	Δ
	4"	100	100	305	321	305	255	200	157	2	30.5	8-Φ22	650	235	223	46	Δ
	6"	150	150	403	419	457	320	270	216	2	35	12-Φ22	800	285	278	104	Δ
	8"	200	201	502	518	521	380	330	270	2	40	12-Φ25	1000	342	336	208	Δ

600	1/2"	15	13	165	/	165	95	66.5	35	7	14.5	4-Φ16	140	78	68	5	Δ
	3/4"	20	19	190	/	190	115	52.5	43	7	16	4-Φ19	140	80	76	7	Δ
	1"	25	25	216	/	216	125	89	51	7	17.5	4-Φ19	180	110	106	9	Δ
	1 1/4"	32	32	229	/	229	135	98.5	64	7	21	4-Φ19	200	115	110	13	Δ
	1 1/2"	40	38	241	/	241	155	114.5	73	7	22.5	4-Φ22	250	135	128	17	Δ
	2"	50	50	292	295	292	165	127	92	7	26	8-Φ19	300	152	140	21	Δ
	3"	80	75	356	359	356	210	168.5	127	7	32	8-Φ22	650	224	213	43	Δ
	4"	100	100	432	435	432	275	216	157	7	38.5	8-Φ25	800	248	238	85	Δ



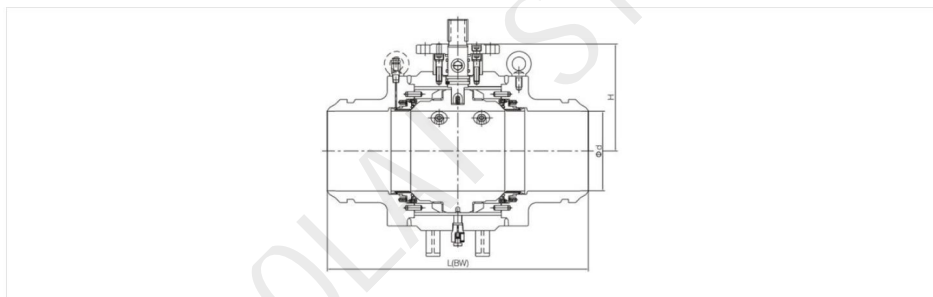
Phone: +86 022 83377302 Email: info@baolaisteel.com

Full Welded Ball Valve



- ✓ Material SS316,316L,304 ,brass,bronze,WCB
- ✓ Pressure class 150-class1500
- ✓ Connection ferrule
- ✓ Power Manual
- ✓ Seated Metal
- ✓ Media Gas,water,etc
- ✓ Type: 2-way 3-way 1-way ,full welded,float,trunnion

Specification



Dimensions Data

Pressure rating	Nominal Diameter		d	Flange		Bult welding	H	Weight(kg)		
	Class	NPS		DN	L(RF)			L(RTJ)	L(BW)	WE
150		6"	150	150	394	406	457	225	185	220
		8"	200	201	457	470	521	258	250	290
		10"	250	252	533	546	559	310	400	430
		12"	300	303	610	622	635	350	550	620
		14"	350	334	686	699	762	382	820	900
		16"	400	385	762	775	838	421	1100	1220
		18"	450	436	864	876	914	468	1400	1550
		20"	500	487	914	927	991	510	1750	1950
		24"	600	589	1067	1080	1143	592	2800	3050
		26"	650	633	1143	/	1245	635	2900	3250
		28"	700	684	1245	/	1346	675	3400	3700
		30"	750	735	1295	/	1387	723	4800	5300
		32"	800	779	1372	/	1524	751	5500	6000
		36"	900	874	1524	/	1727	858	7550	8370
	40"	1000	976	1753	/	1956	930	10290	11320	





300	6"	150	150	403	419	457	225	185	230
	8"	200	201	502	518	521	258	250	300
	10"	250	252	568	584	559	310	400	460
	12"	300	303	648	664	635	350	550	670
	14"	350	334	762	778	762	382	820	1000
	16"	400	385	838	854	838	421	1100	1320
	18"	450	436	914	930	914	468	1400	1650
	20"	500	487	991	1010	991	510	1750	2000
	24"	600	589	1143	1165	1143	592	2800	2550
	26"	650	633	1245	/	1245	635	2900	3300
	28"	700	684	1346	/	1346	675	3400	3750
	30"	750	735	1397	/	1397	723	4800	5500
	32"	800	779	1524	/	1524	751	5500	6500
	36"	900	874	1727	/	1727	858	7550	8800
40"	1000	976	1956	/	1956	930	10290	11900	

Pressure rating	Nominal Diameter		d	Flange		Bult welding	General	Weight(kg)	
	Class	NPS		DN	L(RF)			L(RTJ)	L(BW)
600	6"	150	150	559	562	559	255	250	330
	8"	200	201	660	664	660	290	340	450
	10"	250	252	787	791	787	320	570	710
	12"	300	303	838	841	838	380	580	1000
	14"	350	334	889	892	889	410	1100	1370
	16"	400	385	991	994	991	435	1350	1650
	18"	450	436	1092	1095	1092	495	2100	2400
	20"	500	487	1194	1200	1194	535	2600	3000
	24"	600	589	1397	1407	1397	642	3700	4300
	26"	650	633	1448	/	1448	665	3900	4500
	28"	700	684	1549	/	1549	704	4200	4900
	30"	750	735	1651	/	1651	745	6000	6900
	32"	800	779	1778	/	1778	785	6800	8000
	36"	900	874	2083	/	2083	875	9570	10850

900	6"	150	150	610	613	610	255	330	430
	8"	200	201	737	740	737	290	400	520
	10"	250	252	838	841	838	320	640	820
	12"	300	303	965	968	965	380	900	1050
	14"	350	322	1029	1038	1029	410	1020	1400
	16"	400	373	1130	1140	1130	435	1350	2050
	18"	450	423	1219	1232	1219	495	2600	3400
	20"	500	471	1321	1334	1321	535	3700	4200
	24"	600	570	1549	1568	1549	642	4400	5400
	1500	6"	150	144	705	711	705	255	375
8"		200	192	832	841	832	290	415	505
10"		250	239	991	1000	991	320	525	640
12"		300	287	1130	1146	1130	380	780	950
14"		350	315	1257	1275	1257	410	1145	1380

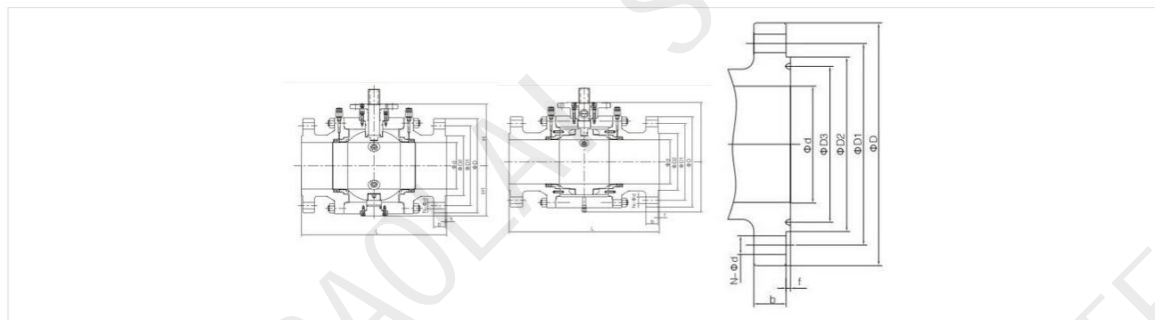


Trunnion Ball Valve



- ✓ Material SS316,316L,304 ,brass,bronze,WCB
- ✓ Pressure class 150-class600
- ✓ Connection ferrule
- ✓ Power Manual
- ✓ Seated Metal
- ✓ Media Gas,water,etc
- ✓ Type: 2-way 3-way 1-way ,full welded,float, trunnion

Specification



Dimensions Data

Pressure rating	Nominal Diameter		d	Flange		Bult welding	Raised face flange						W	cast steel	forged steel	Weight(kg)		
	Class	NPS		DN	L(RF)		L(RTJ)	L(BW)	D	D1	D2	f		b	N-Φd	H	H	cast steel
150		1/2"	15	13	108	/	140	90	60.5	35	2	9	4-Φ16	140	80	78	2	△
		3/4"	20	19	117	/	152	100	70	43	2	10	4-Φ16	140	86	82	2.5	△
		1"	25	25	127	/	165	110	79.5	51	2	11	4-Φ16	140	98	95	3.5	△
		1 1/4"	32	32	140	/	178	115	89	64	2	11	4-Φ16	180	106	100	6.5	△
		1 1/2"	40	38	165	/	190	125	98.5	73	2	13	4-Φ16	180	133	128	7.5	△
		2"	50	50	178	191	216	150	120.5	92	2	14.5	4-Φ19	200	138	137	9	△
		3"	80	75	203	216	283	190	152.5	127	2	17.5	4-Φ19	300	175	148	19	△
		4"	100	100	229	241	305	230	190.5	157	2	22.5	8-Φ19	650	235	223	36	△
		6"	150	150	394	406	457	280	214.5	216	2	24	8-Φ22	800	285	278	78	△
	8"	200	201	457	470	521	345	295.5	270	2	27	8-Φ22	1000	342	336	160	△	



STEEL PIPE SINCE 1991
BAOLAI

300	1/2"	15	13	140	/	140	95	66.5	35	2	13	4-Φ16	140	80	78	2.5	△
	3/4"	20	19	152	/	152	115	82.5	43	2	14.5	4-Φ19	140	86	82	3.6	△
	1"	25	25	165	/	165	125	89	51	2	16	4-Φ19	140	98	95	5	△
	1 1/4"	32	32	178	/	178	135	98.5	64	2	17.5	4-Φ19	180	106	100	8.5	△
	1 1/2"	40	38	190	/	190	155	114.5	73	2	19.5	4-Φ22	180	133	128	10	△
	2"	50	50	216	232	216	165	127	92	2	21	8-Φ19	200	138	137	12	△
	3"	80	75	283	298	293	210	168.5	127	2	27	8-Φ22	300	175	148	28	△
	4"	100	100	305	321	305	255	200	157	2	30.5	8-Φ22	650	235	223	46	△
	6"	150	150	403	419	457	320	270	216	2	35	12-Φ22	800	285	278	104	△
	8"	200	201	502	518	521	380	330	270	2	40	12-Φ25	1000	342	336	208	△

600	1/2"	15	13	165	/	165	95	66.5	35	7	14.5	4-Φ16	140	78	68	5	△
	3/4"	20	19	190	/	190	115	82.5	43	7	16	4-Φ19	140	80	76	7	△
	1"	25	25	216	/	216	125	89	51	7	17.5	4-Φ19	180	110	106	9	△
	1 1/4"	32	32	229	/	229	135	98.5	64	7	21	4-Φ19	200	115	110	13	△
	1 1/2"	40	38	241	/	241	155	114.5	73	7	22.5	4-Φ22	250	135	128	17	△
	2"	50	50	292	295	292	165	127	92	7	26	8-Φ19	300	152	140	21	△
	3"	80	75	356	359	356	210	168.5	127	7	32	8-Φ22	650	224	213	43	△
	4"	100	100	432	435	432	275	216	157	7	38.5	8-Φ25	800	248	238	85	△



Phone: +86 022 83377302 Email: info@baolaisteel.com

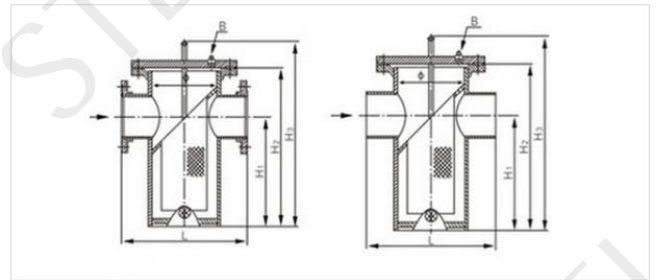
Cast Steel Basket Strainer



- ✓ Standard: API598, EN12266-1, ANSI B16.34
- ✓ Size : DN25~DN1000mm (1"-40")
- ✓ Pressure : PN10-25, CLASS150-300
- ✓ Suitable Mediums: water , oil , gas, steam
- ✓ Body material: Carbon Steel A216 WCB/A105 , Stainless steel
- ✓ Type: basket.

Specification

PART NAME	MATERIAL
Body	SS316 SS304 WCB LCB
Screen	SS316 SS304
Bonnet	SS316 SS304 WCB LCB
Bolt	SS316 SS304
Nut	SS316 SS304
Gasket	Graphite+SS304
Plug	SS316 SS304



Dimensions Data

DN	φ	L	H1	H2	H3	B	m ²	Multiple	kg
25	89	220	160	260	360		0.003619	6.0	15.7/13.8
32	89	220	165	270	370		0.003619	4.5	19.2/16.5
40	114	280	180	300	400	R 1/2"	0.005718	4.5	23.6/19
50	114	280	180	300	400		0.005718	3.0	28.9/23
65	140	330	220	350	460		0.009613	3.0	48.4/39
80	168	340	260	400	510		0.01539	3.0	65.3/53
100	219	420	310	470	580		0.02464	3.0	89.3/76
150	273	500	430	620	730		0.04866	3.0	148/126
200	325	560	530	780	900	R 3/4"	0.07858	2.5	185/158
250	426	660	640	930	1050		0.12005	2.5	230/195
300	478	750	840	1200	1350		0.16537	2.3	307/260

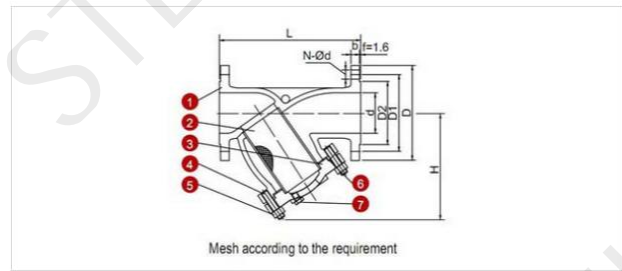
Basket Strainer



- ✓ Standard: API598, EN12266-1 ANSI B16.34
- ✓ Size: DN50~DN600mm (2"-24")
- ✓ Pressure: PN10-25, CLASS150-300
- ✓ Suitable Mediums: water , oil , gas, steam
- ✓ Body material: Carbon Steel A216 WCB/A105 , Stainless steel
- ✓ Type: Y type

Specification

PART NAME	MATERIAL
Body	SS316 SS304 WCB LCB
Screen	SS316 SS304
Bonnet	SS316 SS304 WCB LCB
Bolt	SS316 SS304
Nut	SS316 SS304
Gasket	Graphite+SS304
Plug	SS316 SS304



Dimensions Data

DN	d	L		H		D		D1		D2		n-φd	
		150LB	300LB	150LB	300LB	150LB	300LB	150LB	300LB	150LB	300LB	150LB	300LB
2"	51	203	267	160	160	152	165	120.7	127	92	92	4-19	8-19
2.1/2"	64	216	292	170	180	178	190	139.7	149.2	105	105	4-19	8-22
3"	76	241	318	190	210	190	210	152.4	168.3	127	127	4-19	8-22
4"	102	292	356	230	245	230	254	190.5	200	157	157	8-19	8-22
5"	127	356	400	265	280	265	279	215.9	235	186	186	8-22	8-22
6"	152	406	444	326	345	326	318	241.3	269.9	216	216	8-22	12-22
8"	203	495	559	390	410	390	381	298.5	330.2	270	270	8-22	12-26
10"	254	622	622	410	440	406	445	362	387.4	324	324	12-26	16-30
12"	305	698	711	440	470	483	521	431.8	450.8	381	381	12-26	16-33
14"	337	787	838	470	500	533	584	476.3	514.4	413	413	12-30	20-33
16"	387	914	864	510	550	597	648	539.8	571.5	470	470	16-30	20-36
18"	438	978	978	590	630	635	711	577.9	628.6	533	533	16-33	20-36
20"	689	978	1016	615	650	699	775	635	685.8	584	584	20-33	24-36
24"	591	1295	1346	710	760	813	914	749.3	812.8	692	692	20-35	24-41

